



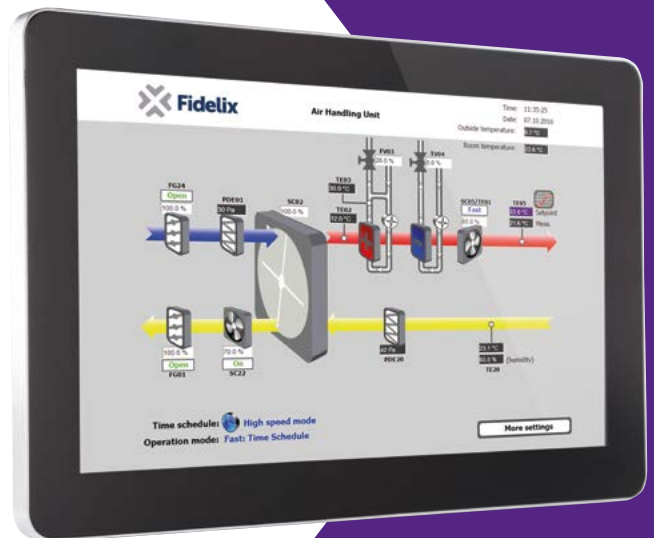
FDX Compact VISIO-15-C

15.6" touchscreen interface for FX-controller

- Full HD HMI running Android
- Multi-touch support
- Ethernet and Wi-Fi connection
- User friendly built-in application to connect to FX-controllers and other devices with a web interface

Connect and consult

The 15.6" touch screen Human Machine Interface display is the easiest way to consult your BMS. Installed onto the door of an electrical cabinet anywhere in the building, the Visio-15-C can be used to access any FX-controller or other TCP/IP connected device in the building. Providing easy access and a fast and secure connection to the controllers, the display is the perfect way to facilitate maintenance or support personnel in their handling with the building's systems. Sporting a familiar Android environment, all will naturally feel the display with ease and comfort.



Technical features

Processor **Rockchip RK3188 Quad Core Cortex-A9 1.6 GHz**

Memory **1 GB RAM, 8 GB SSD**

Power consumption **350 mA @ 24VDC**

Operating temperature **0 to +40°C**

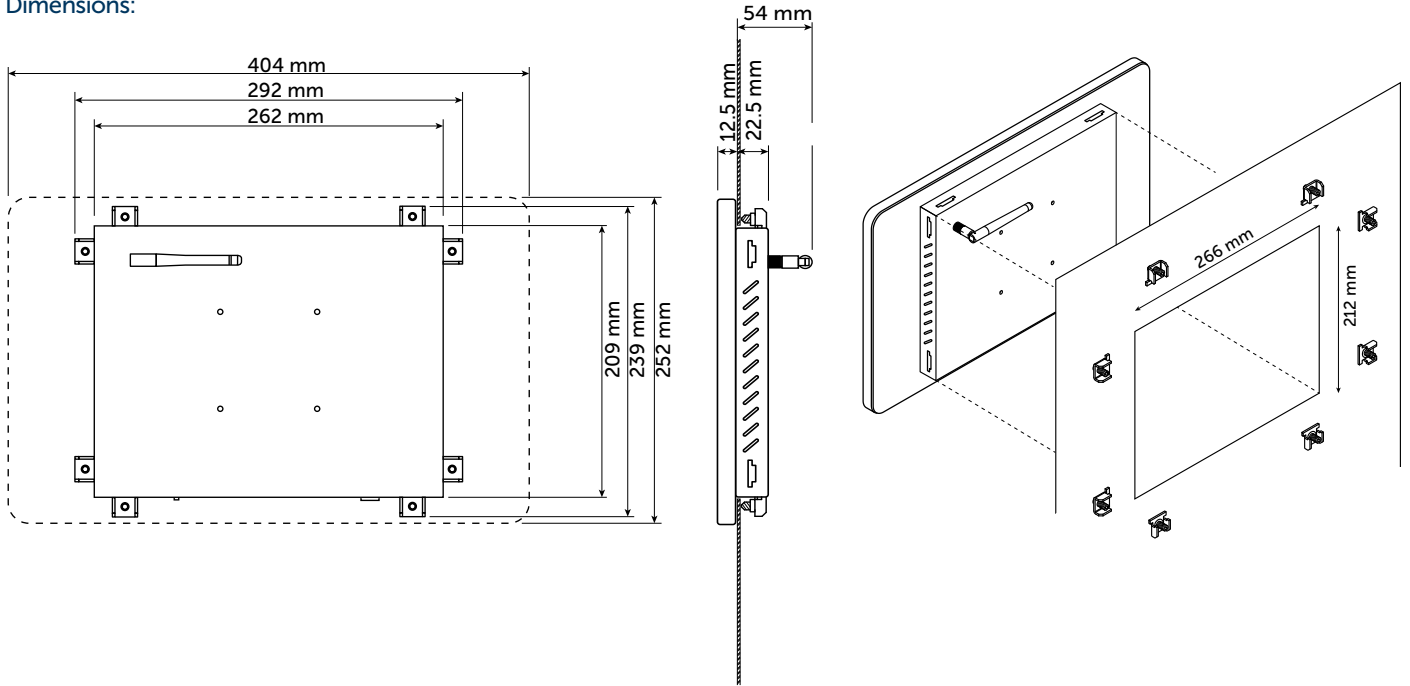
Communication **TCP/IP via Ethernet and/or Wi-Fi**

IP-class **44**

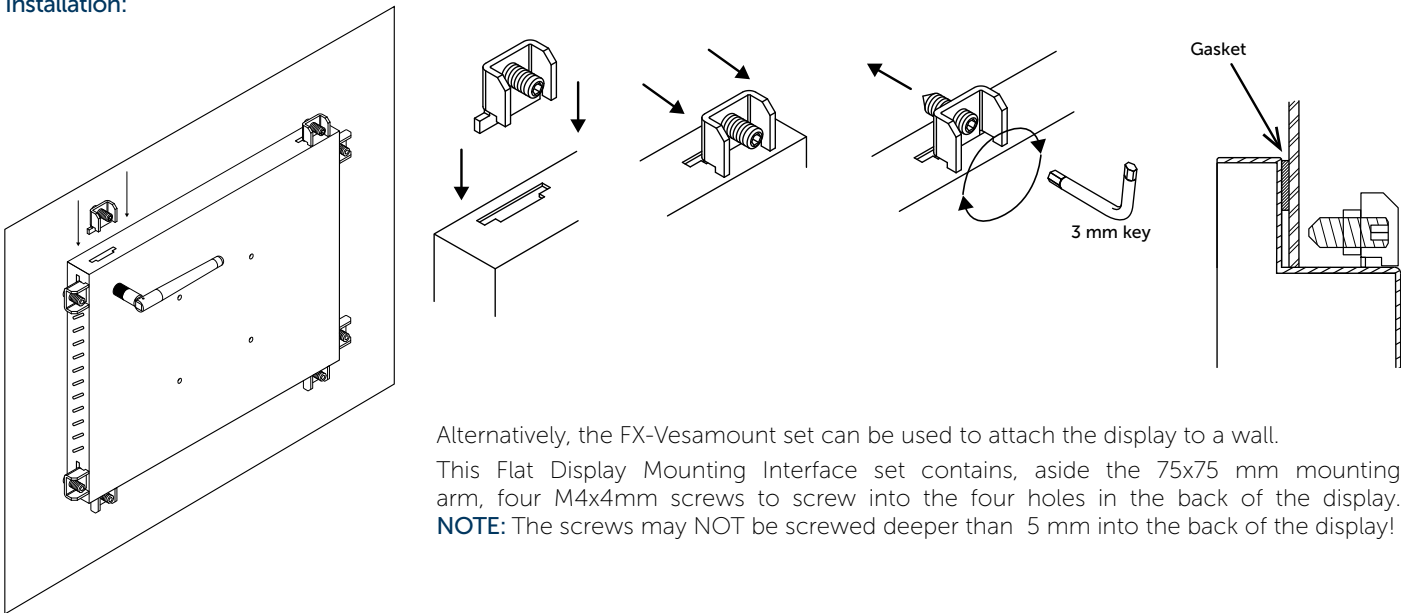
Screen size: 15.6 Inch
Aspect ratio: 16:9
Resolution: 1920 * 1080 pixels
Viewing angle: 85/85/85/85
Number of colours: 16.7 million
Contrast ration: 500:1
Brightness: 300 cd/ m²
Power: 8.5 Watt at 24 VDC

CPU: Rockchip RK3188 Quad Core Cortex-A9 1.6 GHz
RAM: 1 GB DDR3
Storage: 8 GB NAND flash
Card slot: µSD cards up to 32 GB
Wi-Fi: 802.11b/g/n
Ethernet: 10/100 Mbps autodetect
USB: 2 x USB + 1 x miniUSB

Dimensions:



Installation:



Connections:

